

# DÜSSELDORFER PALLET DU608

600 mm x 800 mm



(8003) 0 358946 000013 5

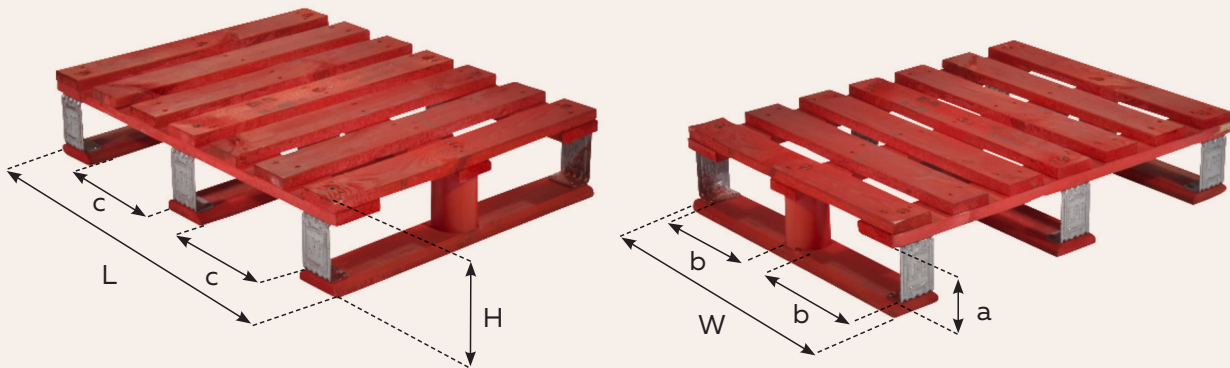


Pictures shown are not contractual

## Features

- > A general purpose pallet for smaller unit loads and in-store displays which is suitable for automated production and warehousing systems.
- > LPR pallets can be used with all standard handling equipment (4-way entry).
- > LPR uses only quality timber and controls the origin of the wood of its pallet pool. The wood comes from certified PEFC forests. Composite blocks are no more used for LPR pallets manufacturing and repairing.
- > Every LPR pallet is inspected and – when required – repaired every cycle according to LPR’s quality standards.
- > LPR pallets can be easily identified through its water-based red painting on all the sides of the pallets, provided by our approved suppliers.
- > LPR pallets, new or repaired, are in accordance with the standards applicable to the wooden pallets. They are unitarily checked in every rotation, and when necessary, repaired according to specific LPR’s requirements.

## Specifications



**DU608 - Pallet nominal dimensions & tolerance (mm)**

	L	W	H	a	b	c
<b>Nominal</b>	800,0	600,0	163,0	100,0	257,0	253,0
<b>Tolerance</b>	±10	±10	±10	-	-	-

**Average weight** : 14 kg

**Nominal load** : 500kg

**Geometry** : 3 based board, 4 way entry

Would you like to have further information about our product or services ? Please visit [lpr.eu](http://lpr.eu) or contact us directly via [info.uk@lpr.eu](mailto:info.uk@lpr.eu)